



# Solution for disabled access

ECO model!

**UNIFIX**  
LIFT  
ACTUATOR



Foldable and transportable

Hammock optional

Waterproof remote control



Simplified pool disabled access

Manual or motorized actuator

Floor fixation by  $\varnothing$ 50mm coring or attachment plate



MADE IN FRANCE

Non-contractual photos.



**REGULAR**  
USE

**INTENSIVE**  
USE

Technical data

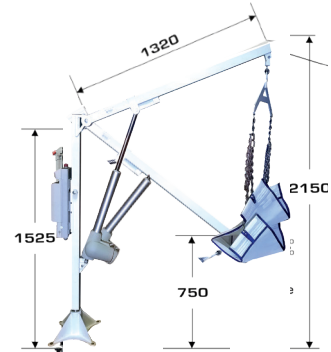
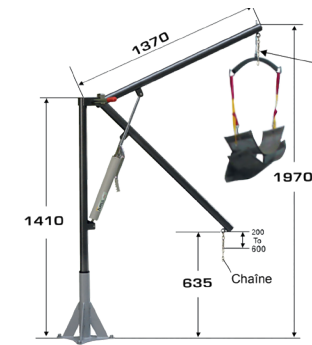
Manual Unifix

Motorized Unifix XD



**Fixed**

- Use
- Max lifting load
- Weight
- Power supply
- Dimensions (WxDxH)
- Trolley/ Seat
- System
- Seat course
- References
- References
- References

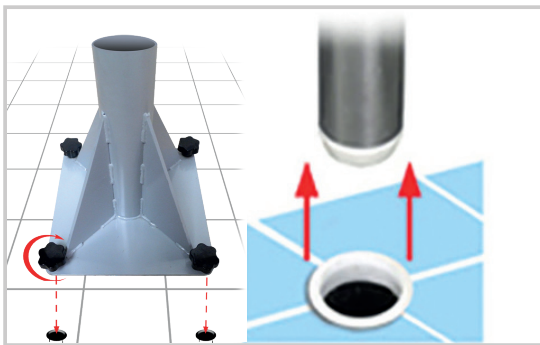


**NEW!**

- Regular
- Up to 150 kg
- 50 kg
- None
- 137 x 30 x 141 cm
- Galvanized steel/ hammock or seat
- Manual
- 130 cm
- Attachment plate z190fp01-3
- Gallows alone
- Coring z190fp01-2
- Gallows alone
- z190fha02-1
- Hammock optional

- Intensive
- Up to 150 kg
- 60 kg
- 2 batteries
- 132 x 30 x 152,5 cm
- Galvanized steel/ hammock or seat
- Motorized
- 140 cm
- Attachment plate z190fp01-3
- Gallows alone
- Coring z190fp01-2
- Gallows alone
- z190fha02-1
- Hammock optional

Assistance in accessibility, promoting swimming for people with disabilities.



**Hard seat optional**

**Hard seat optional**  
Stainless steel structure, plastic shell  
References z190fsp.04

**Actuator Unifix XD on battery**

**Floor fixation by  
ø50mm coring or  
attachment plate**



Non-contractual photos.